

# ZOOMLION



## ZA64J

### ARTICULATING BOOM LIFT

#### FEATURES

##### Standard Features

- Horn
- All motion alarm
- Proportional control
- Self-closing entry gate
- Flashing amber beacon
- Auto-leveling system
- Emergency stop button
- Over tilt protection system
- Emergency descent system
- On-board diagnostic system
- Oscillating axle
- 4.3' LED display
- Load sensing system
- Swing-out engine tray
- Secondary Guarding System

##### Accessories & Options

- Platform work lights
- AC power to platform
- Air line to platform
- Engine heater
- Low-temperature hydraulic oil
- Synthetic biodegradable hydraulic oil
- Non-marking tire

#### HIGHLIGHTS

##### High Performance

- 250kg platform capacity for higher efficiency
- Lightweight design, low energy consumption
- Hostile Kits available for dusty working environment
- Integrated with rotary reducer to enhance rotation stability
- Precise load sensing system to improve overload safety operations
- Build-in multiple pressure control leveling system to enhance stability
- Deadweight Lowering System for smooth operation and energy efficiency
- Platform fast lifting function provides high-efficient performance without tower boom operation

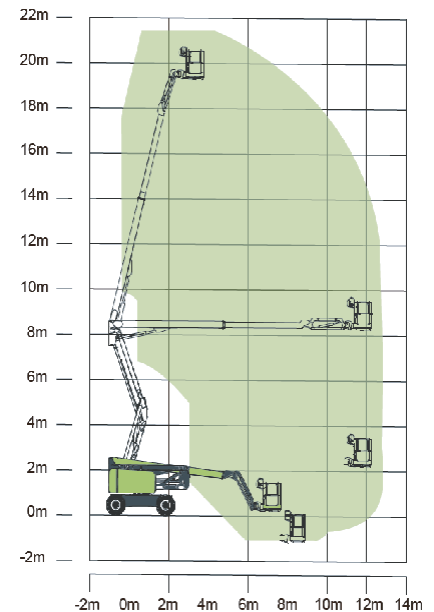
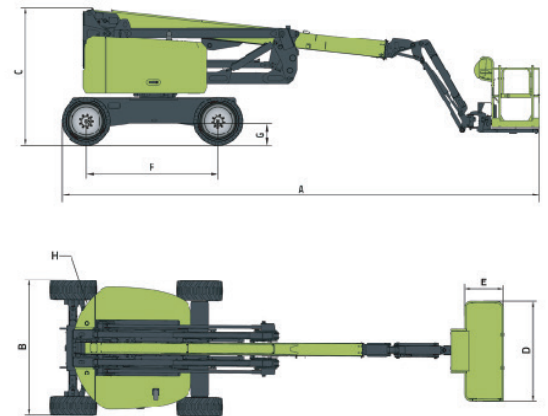
**ACCESS WITH ZOOMLION GREEN**



# ZOOMLION

## ZA64J

Model	ZA64J
<b>Size</b>	
Work Height	70ft 2in (21.38m)
Platform Height	63ft 7in (19.38m)
Horizontal Outreach	40ft 4in (12.3m)
A - Stowed Length	27ft 1in (8.25m)
B - Stowed Width	28ft 11in (8.82m)
C - Stowed Height	8ft 1in (2.46m)
D - Platform Length	8ft 4in (2.52m)
E - Platform Width	8/6ft (2.44/1.83m)
Jib Length	3ft/2ft 6in (0.91/0.76m)
F - Wheelbase	5ft (1.53m)
Tread	8ft 3in (2.52m)
G - Ground Clearance	1ft 5in (0.42m)
<b>Performance</b>	
Platform Capacity (Unrestricted/Restricted)	550 lb (250kg)
Drive Speed (Stowed)	3.79 mph (6.1km/h)
Gradeability	45%(24°)
Turning Radius (Inside)	8in (0.2m)
Turning Radius (Outside)	8ft 3in (2.51m)
Turntable Swing	17ft 11in (5.47m)
Platform Rotation	360° continuous
Tail Swing	±90°
Jib (Range of Articulation)	1ft 4in (0.4m)
Max. Wind Speed	28mph (12.5m/s)
<b>Power</b>	
Engine	Kubota V2403 36kW/2600rpm
Fuel Tank Capacity	39.6 us gal (150L)
Control Voltage	12V
Hydraulic Tank Capacity	12V
Drive Mode	42.3 us gal (160L)
Steering Mode	19.8 us gal (75L)
<b>Weight</b>	
Gross	22046 lb (10000kg)



Range of Motion ZA64J

AJ Access Platforms Ltd, Pill Way, Severn Bridge Industrial Estate,  
 Caldicot Monmouthshire, NP26 5PU, UK  
 Phone: +44 (0) 1291 421 155  
 Email: [info@accessplatforms.com](mailto:info@accessplatforms.com), [sales@accessplatforms.com](mailto:sales@accessplatforms.com)  
 Web: [www.accessplatforms.com](http://www.accessplatforms.com)

[Get Pricing](#)

